

baby&child
RESTORATION HARDWARE

All Restoration Hardware Study Bunk Bed are designed to meet the highest safety standards and comply with all U.S. and Canadian Study Bunk Bed regulations.

Assembly Instructions Twin-Over-Full Bunk Bed

baby&child
RESTORATION HARDWARE

Restoration Hardware Baby & Child
11640 Harrel St, Suite B Mira Loma CA 91752
rhhbabyandchild.com
Made in Vietnam

Model No: #143-35
"Emelia Collection"

Distributed in the U.S.A by:
Restoration Hardware
11640 Harrel St, Suite B Mira
Loma CA 91752
rhhbabyandchild.com

Distributed in Canada by:
Restoration Hardware Canada
Inc. 1500-1055 West Georgia
Street, Vancouver, British
Columbia V6E 4N7



WARNING: Read all
Instructions before assembling this
product **KEEP INSTRUCTIONS
FOR FUTURE USE.**



CUSTOMER SERVICE.

If you are missing parts or have any questions about this product, contact us first. You can also order parts by writing to the address above. Include the product model number, color, and a brief description of the part. Call 1-800-762-1751.

CARE AND CLEANING

DO NOT use abrasive chemicals for cleaning. Dust often using a clean, soft dry cloth. Rinse and dry thoroughly. If the Bunk bed is to be stored, store in a cool dry place and carefully package all original hardware to protect from loss.

IMPORTANT SAFETY INFORMATION FOR BUNK BED

1. Follow the information on the WARNINGS appearing on the upper bunk end structure and on the carton. DO NOT REMOVE WARNING LABEL FROM BED.
2. Always use the specified size mattress or mattress support, or both to help prevent the likelihood of entrapment or falls.
3. Surface of mattress must be at least 5 inches below the upper edge of guardrails on top bunk.
4. Do not allow children under 6 years of age to use the upper bunk.
5. Prohibit more than one person on upper bunk.
6. Periodically check and ensure that the guardrails, ladder, and other components are in their proper position, free from damage, and that all connectors are tight.
7. Do not allow horseplay on or under the bed and prohibit jumping on the bed.
8. Always use the ladder for entering and leaving the upper bunk.
9. Do not use substitute parts. Contact Restoration Hardware for replacement parts
10. Use of a night light may provide added safety precaution for a child using the upper bunk.
11. Use guardrails on both sides of the upper bunk.
12. If the bunk bed will be placed next to a wall, the guardrail that runs the full length of the bed should be placed against the wall to prevent entrapment between the bed and the wall.
13. The use of water flotation mattresses is prohibited.
14. STRANGULATION HAZARD - Never attach or hang items to any part of the bunk bed that are not designed for use with the bed: for example, but not limited to, hooks, belts, and jump ropes.
15. Keep these instructions for future reference.

 **WARNING**

TO HELP PREVENT SERIOUS OR FATAL INJURIES FROM ENTRAPMENT OR FALLS

1. Never allow a child under 6 years on upper bunk.
2. Use only mattress, which is 74"-75" long and 37 1/2"-38 1/2" wide on upper bunk.
3. Ensure thickness of mattress does not exceed 9" and mattress surface is at least inches below upper edge of guardrails.
4. Use guardrails on both sides of upper bunk.
5. Prohibit horseplay on or under bed(s).
6. Prohibit more than one person on upper bunk.
7. Use ladder for entering and leaving upper bunk.
8. If the bunk bed will be placed next to a wall the guardrails that run the full length of the bed should be placed against the wall to prevent entrapment between the bed and the wall.

STRANGULATION HAZARD

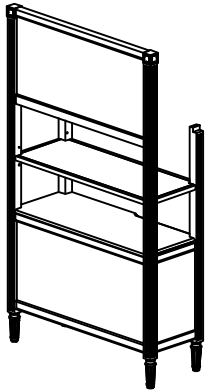
9. Never attach or hang items to any part of the bunk bed that are not designed for use with the bed, for example, but not limited to hooks, belts, and jump ropes.

DO NOT REMOVE THIS LABEL

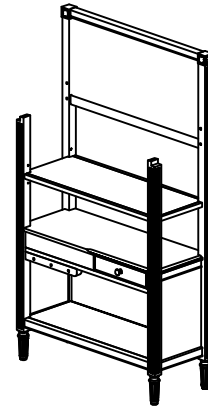


Parts Identification

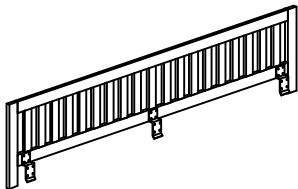
(A) Left Bunk End (x1 piece)



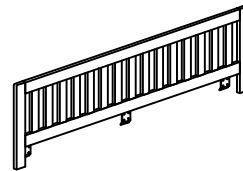
(B) Right Bunk End (x1 piece)



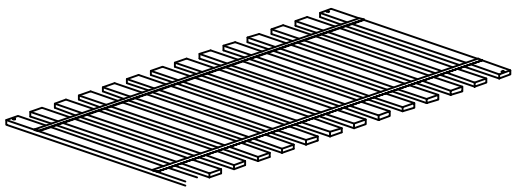
(C) 76" Guard Rail (x1 piece)



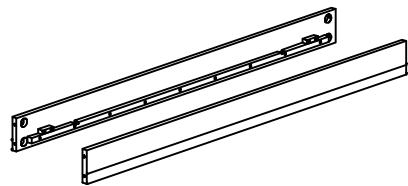
(D) 61-1/4" Guard Rail (x1 piece)



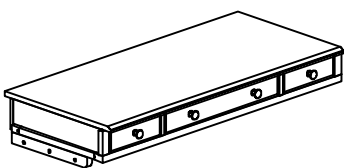
(E) Slat Roll (x1 set)



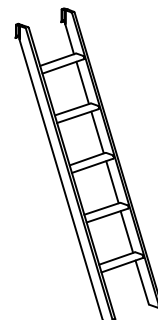
(F) Side Rail (x2 pieces)



(G) Desk (x1 piece)



(H) Ladder (x1 piece)



HARDWARE INCLUDED

1- Threaded Rod 5/16" x 2-1/2"
(8 pieces)



2- Curved Slotted Washer 5/16"
(8 pieces)



3- Hex Nut 5/16" x 12mm
(8 pieces)



4- Flat Washer 5/16" (6 pieces)



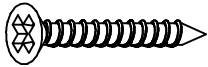
5- Lock Washer 5/16" (6 pieces)



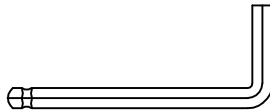
6- Bolt 5/16"x2" (6 pieces)



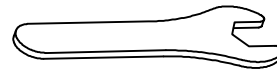
7- Wood Screw 8x30mm
(4 pieces)



8- Hex Nut 4mm
(1 piece)



9- Wrench 12mm
(1 piece)



10- Wood Screw 8x19mm
(26 pieces)



TOOLS NEEDED:

Philips Head Screwdriver (Not included)



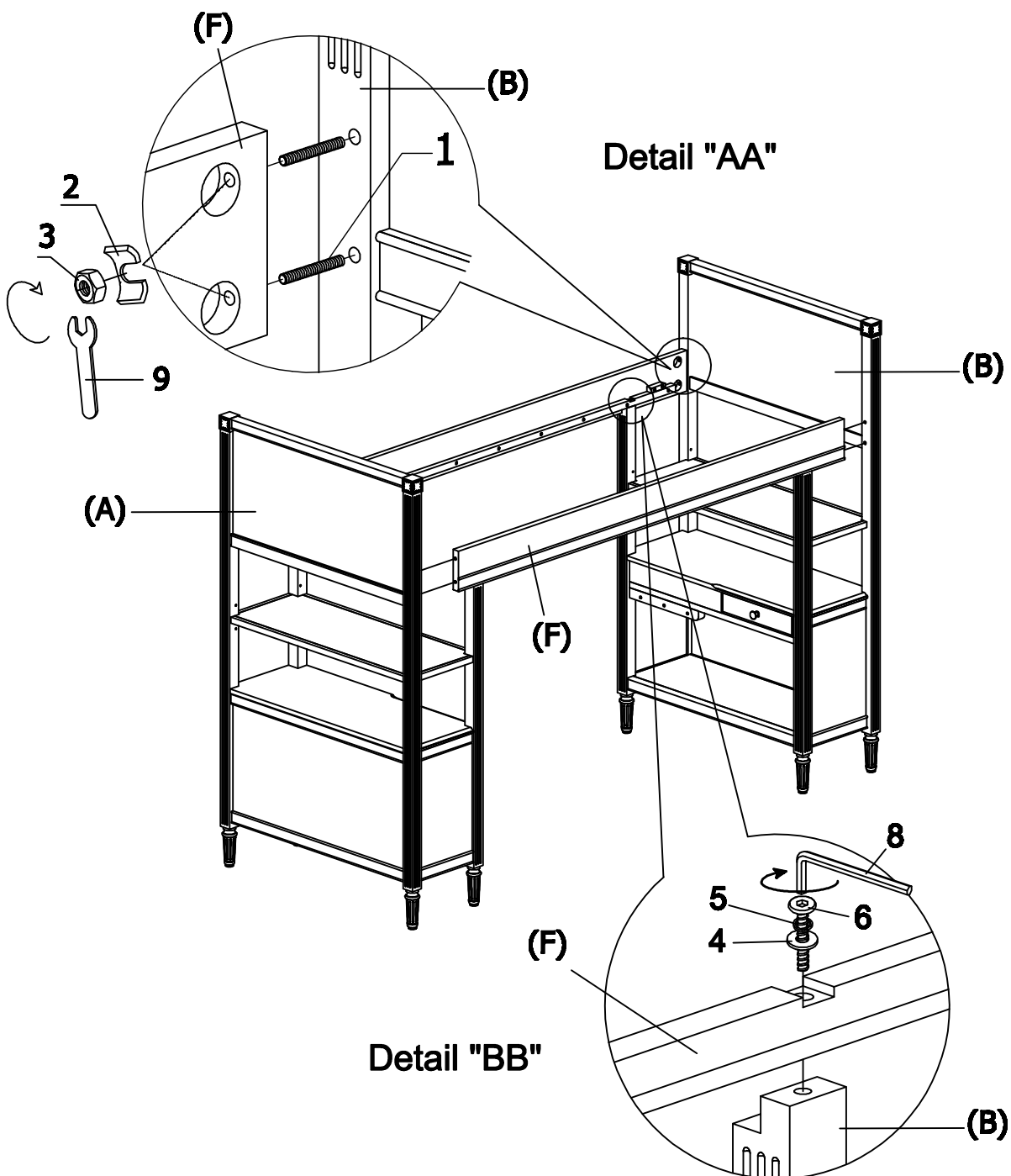
ASSEMBLY INSTRUCTIONS

Note: **2 people are recommended for assembly of your Bunk bed**

STEP 1:

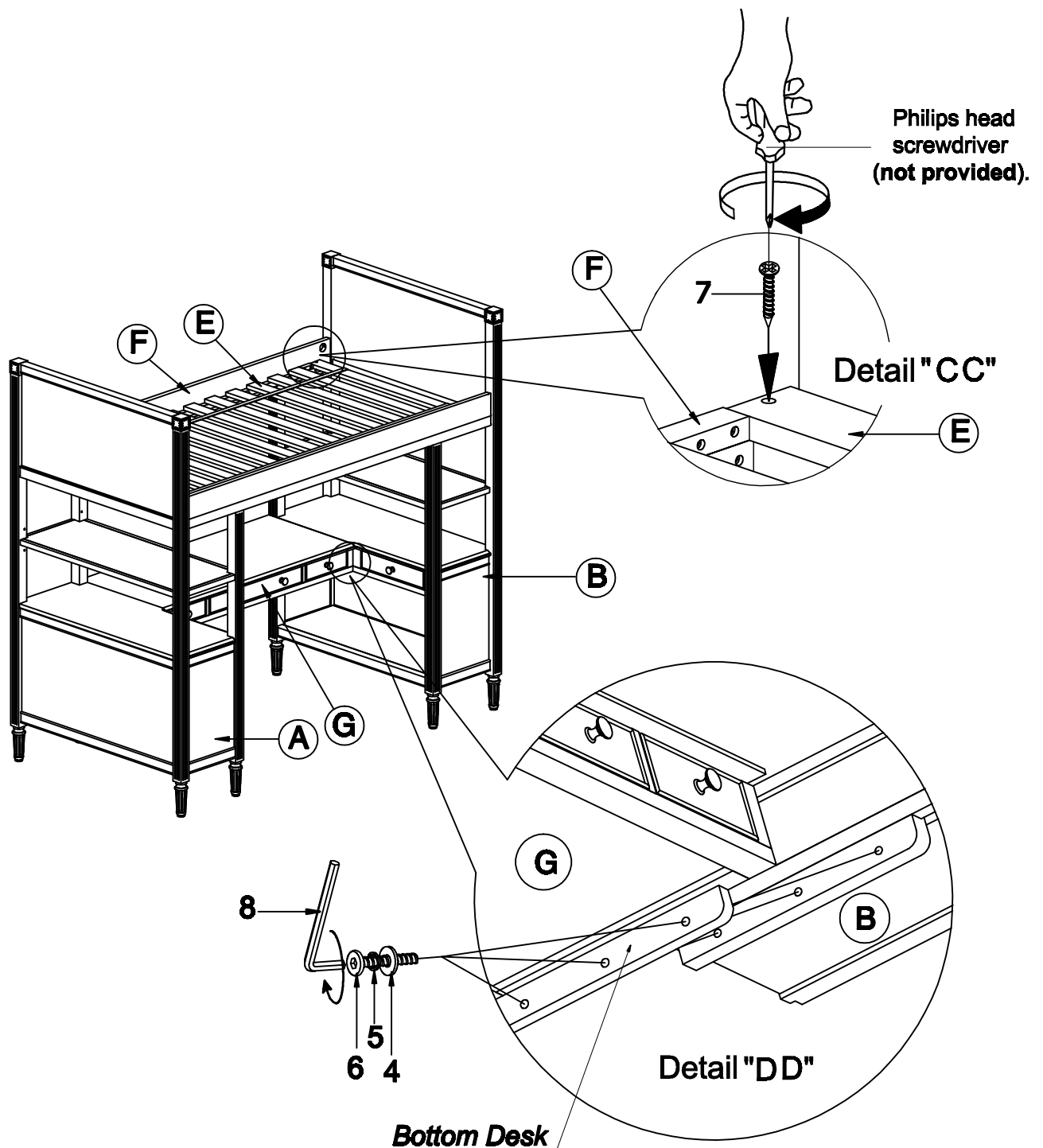
1. Attach the Side Rails (F) to the Left/ Right Bunk Bed Ends (A), (B) by using Threaded Rods (1), Curved Slotted Washer (2), Hex Nut (3) and Wrench (9) that is provided (Refer to Detail "AA"). Place threaded rods in the holes on the bunk bed post. Align the side rails with the holes and fasten tightly with curved slotted washers and hex nuts using the wrench provided.

2. Insert Flat Washer (4), Lock Washer (5), Bolt (6) and tighten with Allen Key (8) (Refer to Detail "BB").



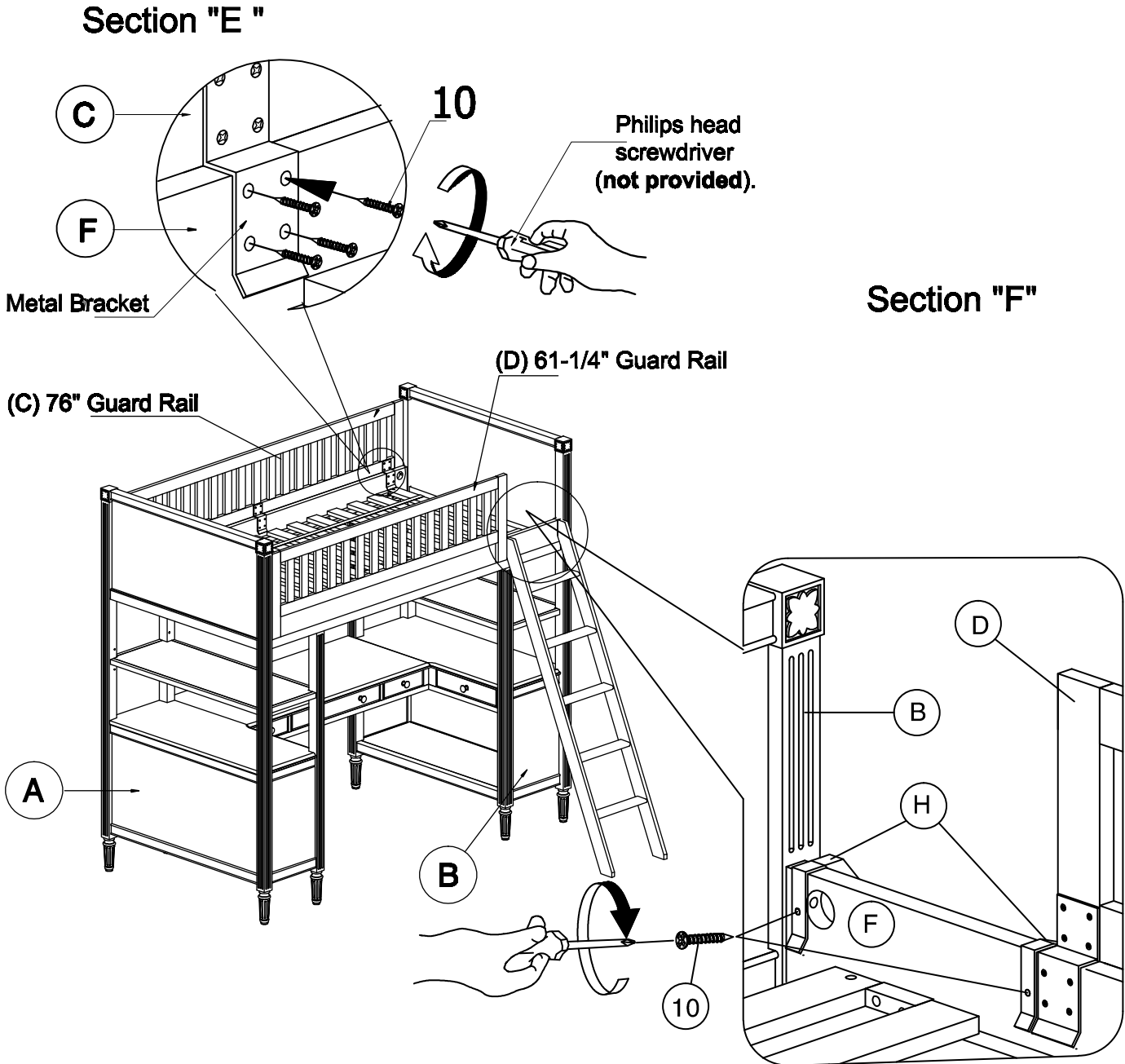
STEP 2: Desk Assembly Instructions:

1. Lay the Slat Roll (E) in between the Side Rails (F) and use Wood Screw (7) to fasten two end slats to side rails with a screwdriver (Refer to Detail "CC")
2. Attach the Desk (G) to the L/ R Study Bunk Bed Ends (A), (B) using Flat Washer (4), Lock Washer (5), Bolt (6) and Allen Key (8) that is provided (Refer to Detail "DD").



STEP 3: Guard Rail Installation Instructions:

1. Install [2] Guard Rails (C) & (D) as indicated below and in Section "E". The 61-1/4" Guard Rail (D) can be installed at either end of the bed that you desire, depending on where you wish to position the ladder. Then fasten the metal bracket end holes with 8x19 mm Wood Screws (10) in the slat bearers on the side rails (Refer to Section "E"). The metal bracket on the guard rails fit into slots in the slat bearers on the Side Rails (F) (Refer to Section "E"). Secure all brackets with 8x19 mm Wood Screws (10) that are provided.



STEP 4: Ladder Attachment Instructions:

Position the ladder in the opening between the 61-1/4" guard rail and the post of the Study Bunk Bed. Position the ladder brackets onto the side rails of the Study Bunk Bed. Secure the ladder to the side rails with two ends firmly. Then tighten using Wood Screws (8) and Philips head screwdriver (Refer to Section "F").

STEP5: Install Bedding:

BEDDING SPECIFICATIONS FOR TOP BUNK:

The following size mattress and Foundation are specified for use with this Bunk bed.

MATTRESS DIMENSION SPECIFICATIONS FOR TOP BUNK:

MATTRESS : 37-1/2" to 38-1/2"wide x 74" to 75"long x maximum 9"thick

SLAT ROLL : CONSISTING OF 14 SLATS 2-1/2" x 38-7/8"

****Note:** MATTRESS THICKNESS MUST NOT EXCEED MAX 9" FOR TOP BUNK.

Be sure to adhere to these **BEDDING SPECIFICATIONS** in order to avoid the possibility of falling or entrapment. **THESE SPECIFICATION MUST BE STRICTLY ADHERED TO !**

STUDY BUNK MATTRESS DIAGRAM

